

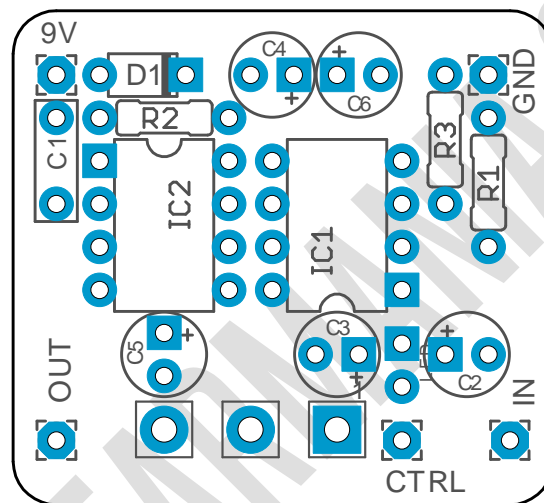
Acapulco Lite

Based on EQD's Acapulco Gold

Distortion

By PCB Guitar mania Mania

[Project link](#)



The Acapulco Lite is dirt-simple distortion Device based on the power section of a cranked vintage Sunn Model T, bringing the openness, clarity, and crunch.

- Super compact design to fit in a 1590B Enclosure with pot on board.
- Ready to be wired as true bypass.

BOM

capacitors

C1	4n7
C2	10u electrolytic
C3	10u electrolytic
C4	1u electrolytic
C5	1u electrolytic
C6	100u electrolytic

Semiconductors

IC1	LM386
IC2	LM386
D1	1n4001
LED	LED3MM

Resistors

R1	1m
R2	68k
R3	2k2-4k7
POT1	100k A

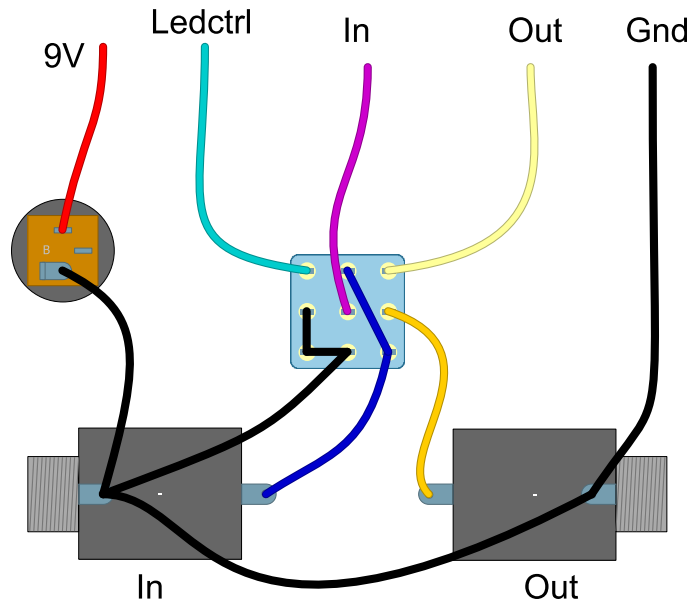
Its recommended to use high quality electrolytic capacitors.

General Building notes

To populate the PCB it's recommended to follow this order.

1. Resistors & diodes
2. IC Sockets (set up the proper IC at last)
3. Capacitors, starting with the smaller ones and the ceramic ones.
4. Electrolytic capacitors (always check the polarity)
5. Transistors
6. Wires
7. Potentiometers
8. Off board wiring

Off Board Wiring



Drilling the enclosure

This Project has been planned to fit into a 1590B enclosure type (122x67x35mm approx.)

Check the Attached "Drilling templates" to drill the box properly. The files are on Scale 1:1, ready to print in a A4 page.

Schematic

