

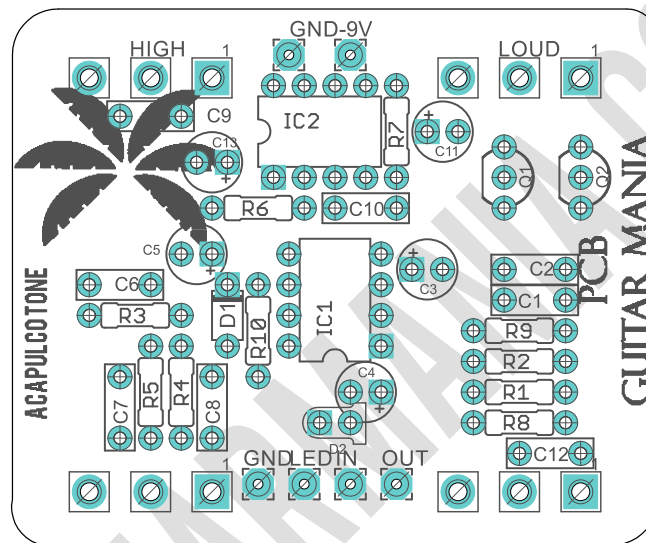
Acapulco Tone

Based EQD's Acapulco Gold + baxandall EQ.

Distortion

By PCB Guitar mania Mania

[Project link](#)



The Acapulco Tone is dirt-simple distortion Device based on the power section of a cranked vintage Sunn Model T, bringing the openness, clarity, and crunch.

- Ready to be wired as True Bypass.
- Tight design to fit in a 1590B Enclosure with pots and switches on board.
- Baxandall EQ
- Input and Output buffers.

BOM

Resistors		Capacitors	
R1	2m2	C1	100n
R2	4k7	C2	100n
R3	100k	C3	10uf electrolytic
R4	4k7	C4	10uf electrolytic
R5	47k	C5	1uf electrolytic
R6	68k	C6	1n
R7	100k	C7	1n
R8	4k7	C8	4n7
R9	Don't populate	C9	10n
R10	LED	C10	4n7
		C11	1uf electrolytic
		C12	100n
		C13	100uf electrolytic
Semiconductors			
IC1	LM386		
IC2	LM386		
Q1	2N5457	Pots	
Q2	2N5457	BASS	1m A
D1	1N4001	HIGH	1m A
D2	LED3MM	LOUD	100k B
		CLEAN	100k A

Shopping list

Resistors	
1	2m2 R1
1	47k R5
3	4k7 R2, R4, R8
1	68k R6
1	1m R9
2	100k R3, R7
1	2k2-4k7 R10
Capacitors	
1	10n C9
2	1n C6, C7
3	100n C1, C2, C12
2	4n7 C8, C10
2	1uf electrolytic C5, C11
1	100uf electrolytic C13
2	10uf electrolytic C3, C4

Pots

1	100k B	CLEAN
1	100k A	LOUD
2	1m A	BASS, HIGH

Semiconductors

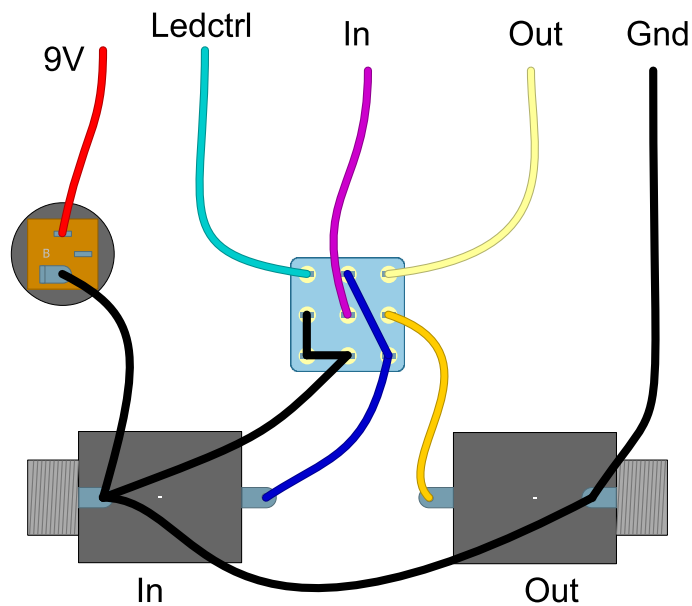
2	2N5457	Q2
2	LM386	IC1, IC2
1	LED3MM	D2
1	1N4001	D1

General Building notes

To populate the PCB it's recommended to follow this order.

1. Resistors & diodes
2. IC Sockets (set up the proper IC at last)
3. Capacitors, starting with the smaller ones and the ceramic ones.
4. Electrolytic capacitors (always check the polarity)
5. Transistors
6. Wires
7. Potentiometers
8. Off board wiring

Off Board Wiring



Drilling the enclosure

This Project has been planned to fit into a 1590B enclosure type (112x60x31mm)

Check the Attached "Drilling templates" to drill the box properly. The files are on Scale 1:1, ready to print in a A4 page.

Schematic

