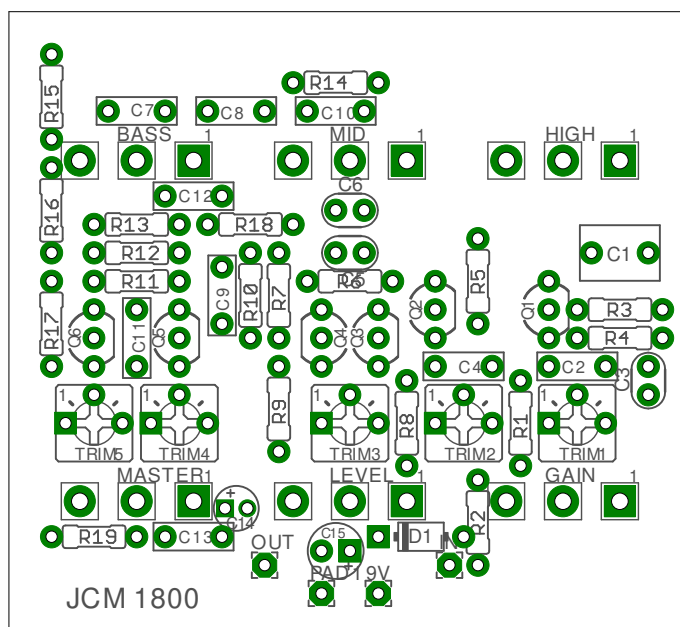


JCM 800 Amp Sim

Pre amp Emulator

Based on Marshall JCM 800 AMP

By PCB Mania



This Amplifier simulator puts the intense tone of their JCM 800 amplifier onto your pedalboard. This is a wide-ranging, British-flavored overdrive that can be pushed well into high gain territory.

- Ready to be wired as True Bypass.
- 5 Trim to regulate bias of the J201.
- Tight design to fit in a 125B Enclosure.

BOM

Caps		Resistors	
C1	680n	R1	33k
C2	22n	R2	1m
C3	470p	R3	2K7
C4	22n	R4	470k
C5	470p	R5	10k
C6	470p	R6	470k
C7	22n	R7	470k
C8	22n	R8	820r
C9	22n	R9	10k
C10	100n	R10	33k
C11	22n	R11	1M
C12	2n2	R12	470R
C13	10n	R13	10K
C14	1uf	R14	4K7
C15	100uf	R15	220K
		R16	2K2
		R17	1K
		R18	100K
		R19	6K8
Transistors		Diode	
Q1	J201	D1	1n4001
Q2	J201		
Q3	J201		
Q4	J201		
Q5	J201		
Q6	J201		
Pots		Trim pots	
GAIN	1M A	TRIM1	100k (50k might be easiert to bias)
HIGH	250K B	TRIM2	100k (50k might be easiert to bias)
BASS	1M A	TRIM3	100k (50k might be easiert to bias)
LEVEL	100K A	TRIM4	100k (50k might be easiert to bias)
MASTER	1M A	TRIM5	100k (50k might be easiert to bias)
MID	25K B		

Shopping list

Caps

C1	680n
6	22n
3	470p
1	100n
1	2n2
1	10n
1	1uf
1	100uf

Transistors

6	J201
---	------

Pots

3	1M A
1	250K B
1	100K A
1	25K B

Resistors

2	33k
2	1m
1	2K7
3	470k
3	10k
1	820r
1	470R
1	4K7
1	220K
1	2K2
1	1K
1	100K
1	6K8

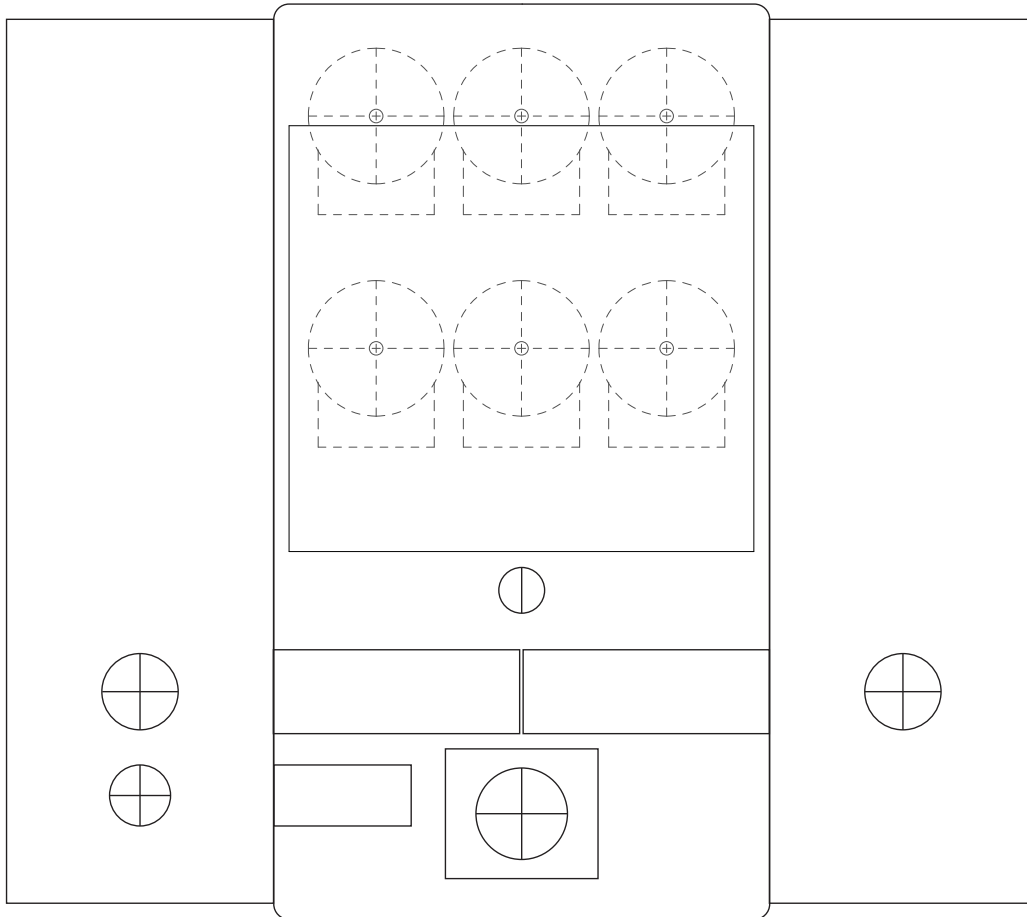
Diode

D1	1n4001
----	--------

Trimpots

5	100K
---	------

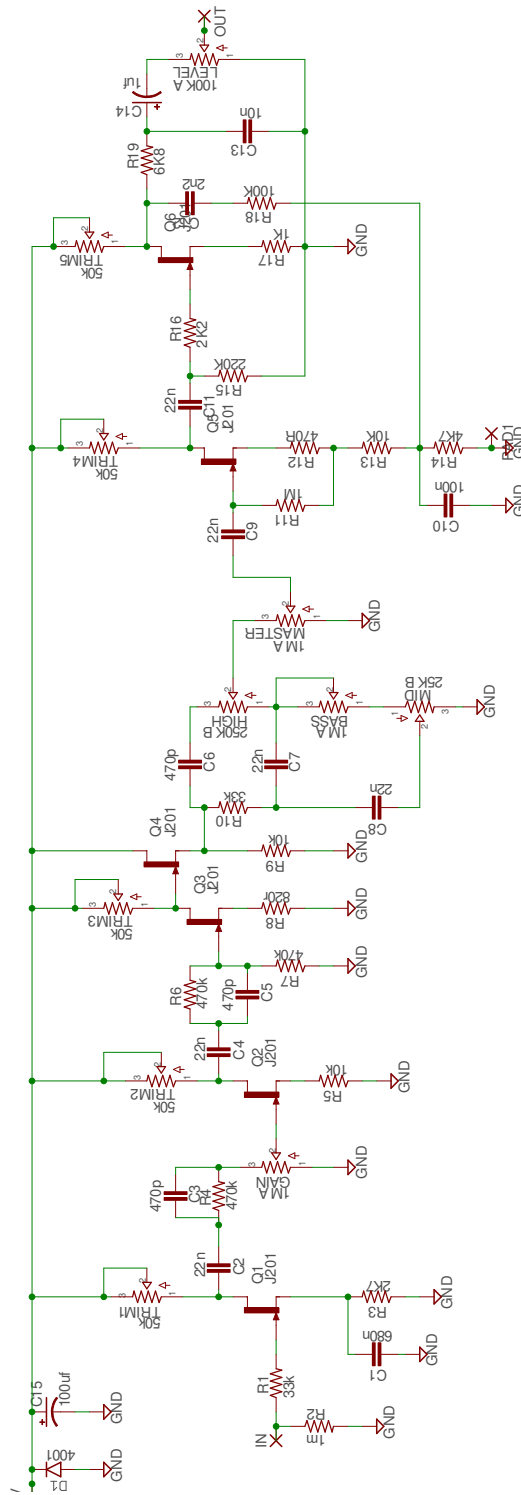
Drilling template



125b enclosure type

Always make the proper measurements before drilling!

Schematic



General Notes

For the correct performance of the effect you will have to bias the voltage going to the J201 through the trimmers. Set them up on 4.5v (the half of your power supply) and then realize fine tuning by ear.

To measure the voltage on the J201 you got to touch the ground of the effect with your black terminal of the multimeter, and the red one on the Drain pin of the transistor.