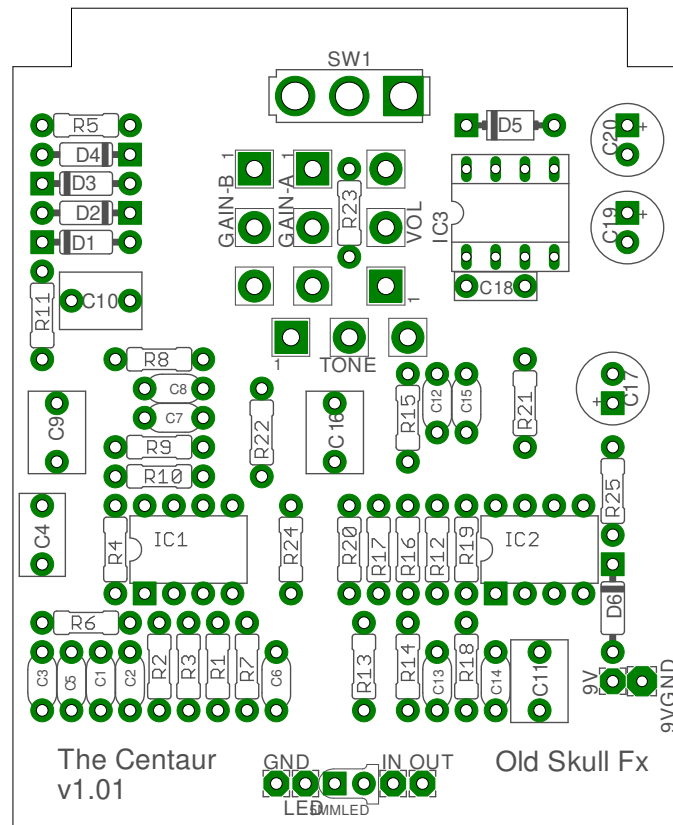


The Centaur

Overdrive / Clean Boost

Based on the Klon Centaur

By PCB Mania



The Centaur is based on the legendary Klon Centaur, keeping the soul of the original, but with some modern features:

- Ready to be wired as True Bypass.
- Switch for Diode clipping selection.
- Tight design to fit in a 125B Enclosure.

BOM

Capacitors

C1	220pf
C2	100n
C3	68n
C4	390n
C5	100n
C6	68n
C7	82n
C8	390pf
C9	1uf
C10	1uf
C11	1uf
C12	2n2
C13	27n
C14	1n
C15	3n9
C16	1uf
C17	100uf
C18	100n
C19	10uf
C20	10uf

Diodes

D1	1n34a
D2	1n34a
D3	Your Choice
D4	Your Choice
D5	Zener 12v
D6	1n5817

Pots

Gain	100k B Dual
Tone	10k B
Vol	10k A

Resistors

R1	2m2
R2	1k
R3	1m
R4	5k1
R5	1k5
R6	1k
R7	10k
R8	2k
R9	15k
R10	422k
R11	1k
R12	47k
R13	1k5
R14	15k
R15	22k
R16	27k
R17	12k
R18	390k
R19	100k
R20	1k8
R21	100k
R22	4k7
R23	470r
R24	4k7
R25	22r

IC

IC1	TL072
IC2	TL072
IC3	TC 1044SCPA

Switch

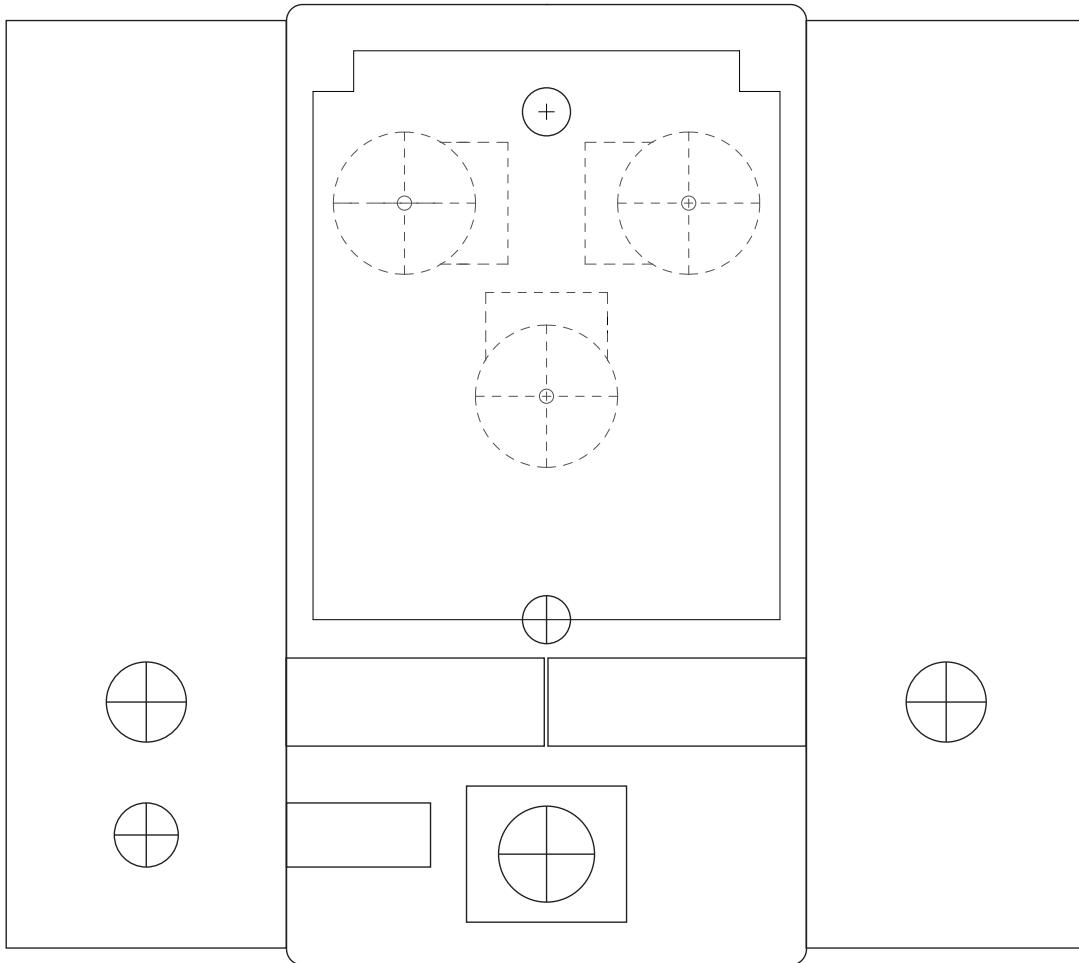
Spdt on-on

Shopping list

Qty	Value	Parts	Qty	Value	Parts
Resistors			Capacitors		
1	12k	R17	2	10uf	C19, C20
2	15k	R9, R14	2	100n	C2, C5
3	1k	R2, R6, R11	1	100n	C18
2	1k5	R5, R13	1	100uf	C17
1	1k8	R20	1	1n	C14
					C9, C10,
1	1m	R3	4	1uf	C11, C16
1	390k	R18	1	220pf	C1
1	422k	R10	1	27n	C13
1	470r	R23	1	2n2	C12
1	47k	R12	1	390n	C4
2	4k7	R22, R24	1	390pf	C8
1	5k1	R4	1	3n9	C15
1	22k	R15	2	68n	C3, C6
1	22r	R25	1	82n	C7
1	27k	R16			
1	2k	R8	Pots		
1	2m2	R1	1	A10k	VOL
1	10k	R7	1	B100k dual	GAIN-B
2	100k	R19, R21	1	B10k	TONE
			Switch		
			1	SPDT on-on	SW1
IC					
1	TC 1044SCPA	IC3			
2	TL072	IC1, IC2			
Diode					
1	LED 3mm/5mm	5MMLLED			
2	1n34a	D1, D2			
1	1n5817	D6			
1	zener 12v	D5			

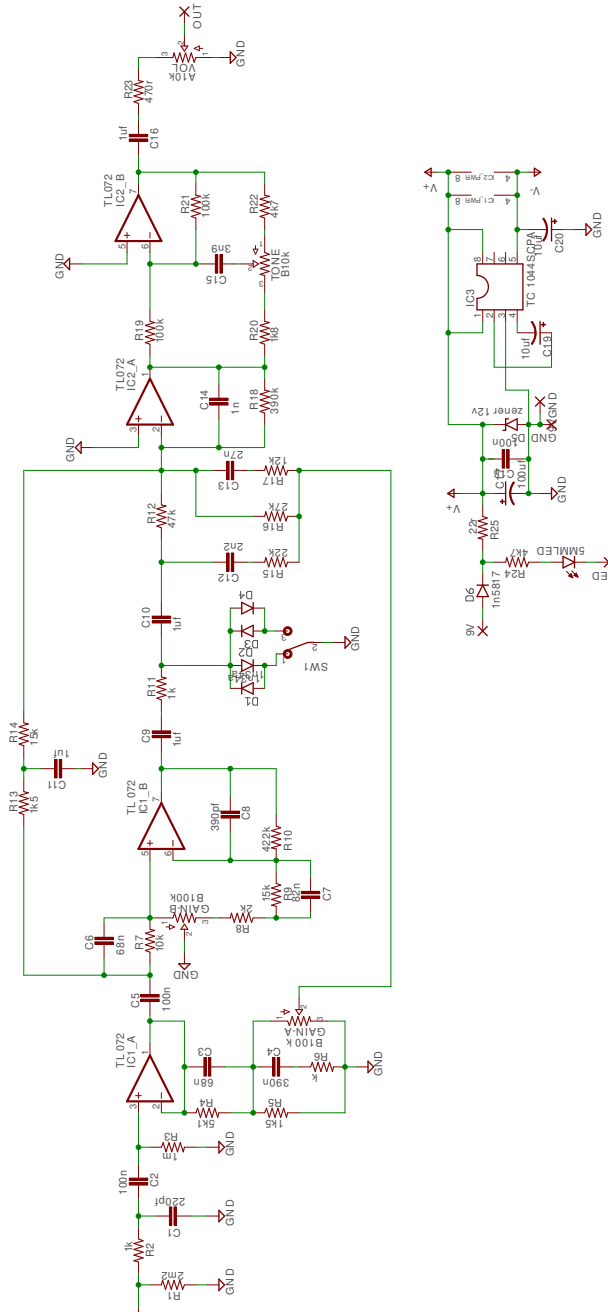
Drilling template

125b enclosure type

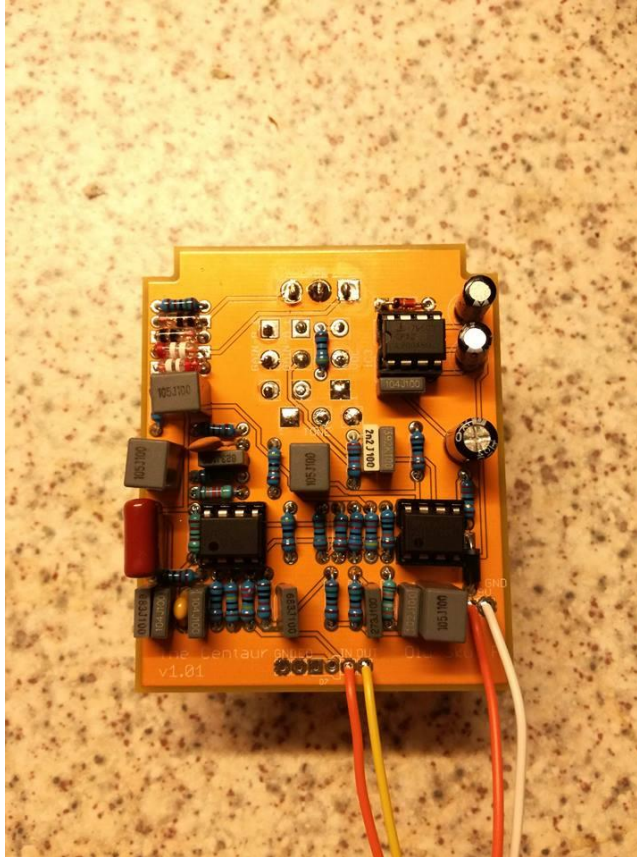


Always make the proper measurements before drilling!

Schematic



General Notes



Pads, from left to right

1. Ground
2. Ground control for led, connect to the 3PDT switch
3. LED +, 3mm or 5mm
4. LED-
5. IN
6. OUT
7. 9V
8. GROUND

Its important to notices that this Effect, the original Klon Centaur, is one of those types of effects that are 2 up 1 down. Even in the original Klon.

This means that you could never have the 3 knobs at max, without having feedback, or noises.