

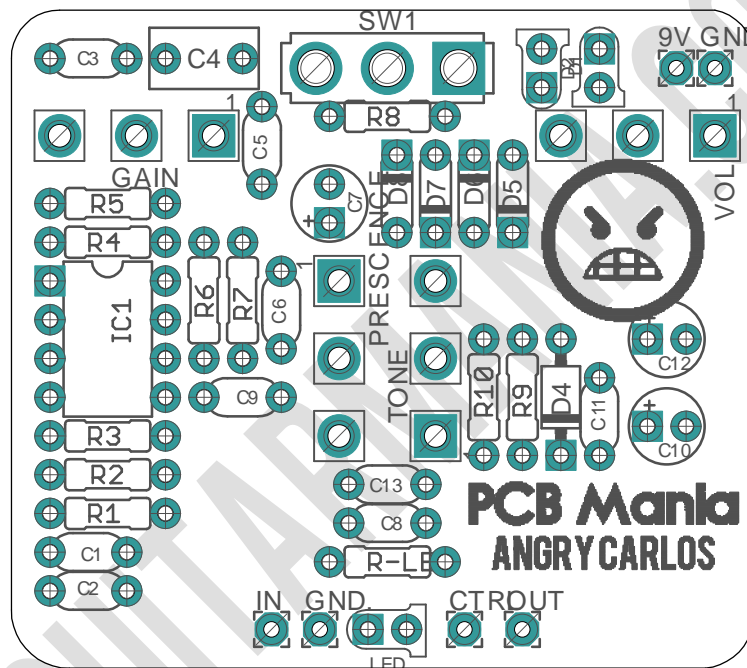
Angry Carlos

Based JHS Angry Charlie / M-audio Crunch Box

Distortion - Overdrive

By PCB Guitar mania Mania

[Project link](#)



The Angry Carlos has been inspired on pedals such as JHS's Angry Charlie and M-Audio's Crunch Box as one of the best Marshall in a box.

- Ready to be wired as True Bypass.
- Compact design, fits on a 1590b enclosure.
- Versatile to build different versions of this classic drive.
- Diode toggle selector on board.

BOM

Resistors		Capacitors	
R-LED	2K7-4K7	C1	22n
R1	1m	C2	1n
R2	1k	C3	100pf
R3	1m	C4	220n
R4	1k	C5	100n
R5	1k	C6	100pf
R6	10k	C7	2.2uf Electro
R7	1m	C8	22nf
R8	470r	C9	22nf
R9	22k	C10	10uf Electro
R10	22k	C11	100n
		C12	100uf Electro
Potentiometers		C13*	100nf (optional)*
PRESENCE	B- 25k		
TONE	C- 10k	Diodes	
VOL	A- 100k	D1	Red Led 3mm
GAIN	B- 100K	D2	Red Led 3mm
		D4	1n5817
Switches		D5**	Builder choice
SW1	SPDT ON-OFF-ON	D6**	Builder choice
		D7**	Builder choice
IC		D8**	Builder choice
IC1	LM833		

C13* Leave it unpopulated for the M-audio Crunch box mode.

D5 to D8** In this project I included space to fit 4 diodes, as alternative clipping options. Although I found that most of the diodes might be a bit too compressed, is great to experiment with different LED combinations and colors.

If you wanna use only a two diodes instead of four, you **MUST** place jumpers on the place for D7 and D8, otherwise the diodes wont clip.

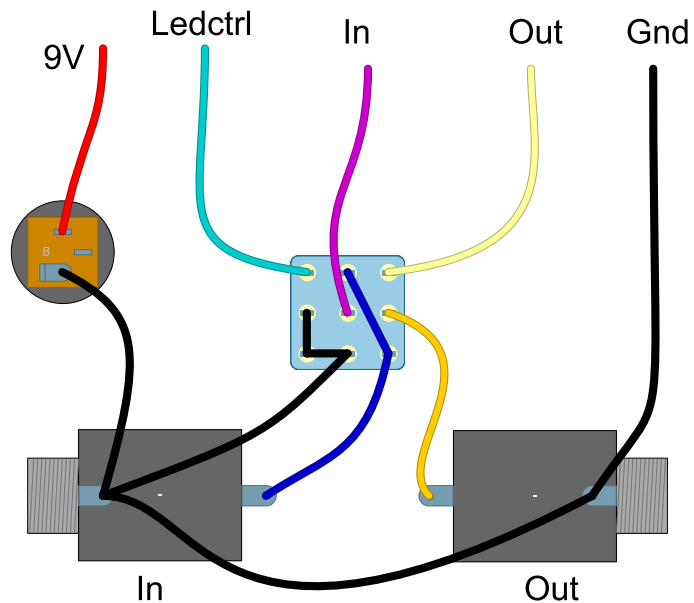
General Building notes

To populate the PCB it's recommended to follow this order.

1. Resistors & diodes
2. IC Sockets (set up the proper IC at last)

3. Capacitors, starting with the smaller ones and the ceramic ones.
4. Electrolytic capacitors (always check the polarity)
5. Transistors
6. Wires
7. Potentiometers
8. Off board wiring

Off Board Wiring

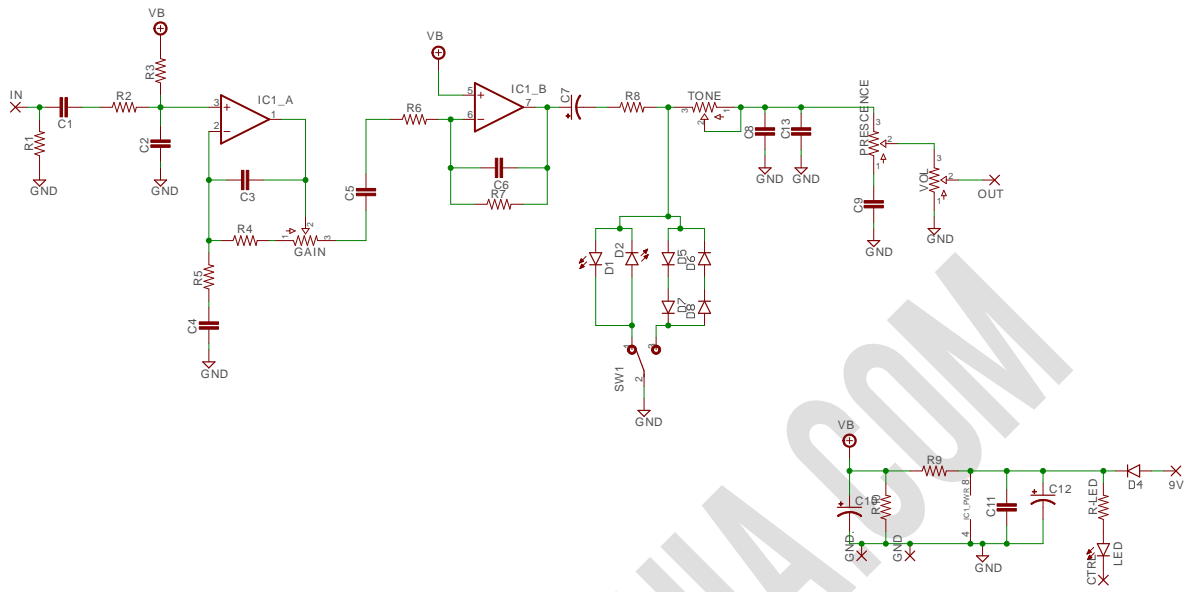


Drilling the enclosure

This Project has been planned to fit into a 1590B enclosure type (112x60x31mm)

Check the Attached "Drilling templates" to drill the box properly. The files are on Scale 1:1, ready to print in a A4 page.

Schematic



PCBGUITARMANIA.COM